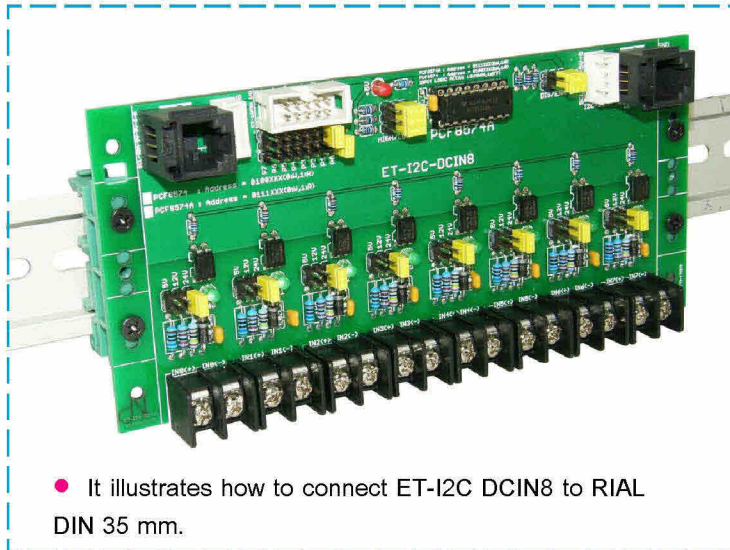
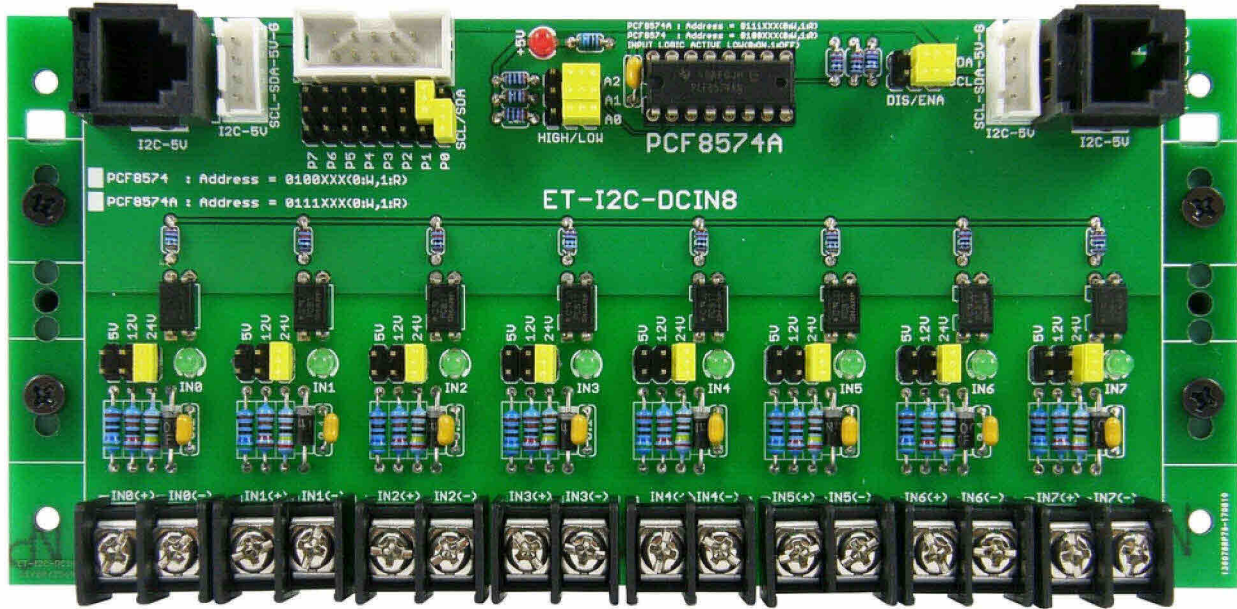
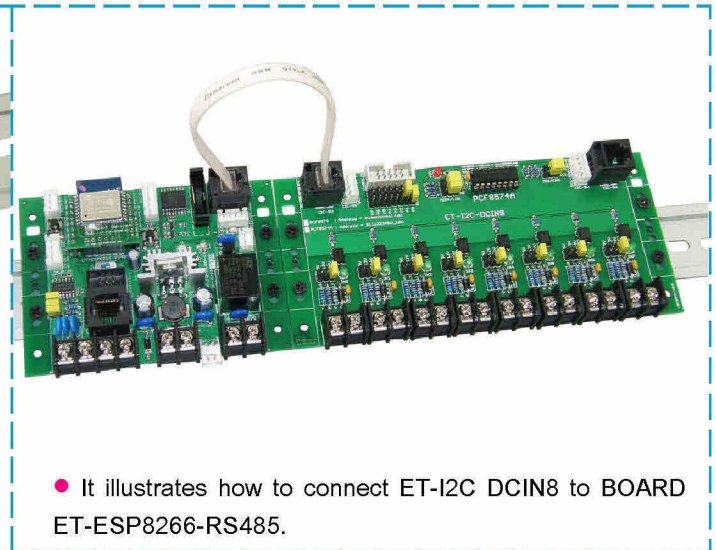


**ET-I2C DCIN8 (P-ET-A-00577)**

**ET-I2C DCIN8** is Board INPUT DC 8-CH that is connected via BUS I2C. It uses IC PCF8574A as IC PORT to receive signal from MCU or Board Controllers like ET-ESP8266-RS485, ET-MEGA32U4-RS485, or BOARD MCU from ETT via Connector I/O 10 PIN.



● It illustrates how to connect ET-I2C DCIN8 to RIAL DIN 35 mm.



● It illustrates how to connect ET-I2C DCIN8 to BOARD ET-ESP8266-RS485.

**SPECIFICATIONS**

- 8 INPUT DC IN OPTO ISOLATION separates electrical signal between boards by IC OPTO PC817
- Choose 3-LEVEL of SIGNAL INPUT by JUMPER to connect to board; 5V, 12V and 24V
- IC PORT No.PCF8574A is used as PORT to receive Commands from I2C
- 8-CH INPUT uses Connector 2 PIN BARRIER TERMINAL 7.62 mm. 8-Pair separate
- JUMPER chooses 8-ADDRESS; so, it can connect 8 of Board ET-I2C DCIN8 in BUS I2C
- Connector I2C for Board is WAFER 4 PIN (2.50 mm.) and 2 of FEMALE RJ11 6 PIN; it can be connected to board or it is connected together from board. Moreover, it provides Connector ETT 10 PIN IDC that is connected from ETT Boards for connecting and receiving Signal I2C to board, including
- JUMPER for choosing BIT for SCL, SDA
- RAIL DIN 35 mm.
- PCB size: 7.5 x 16.5 cm.
- Package of **ET-I2C DCIN8** includes...

1. Board
2. Manual
3. CABLE RJ-I2C-RJ

