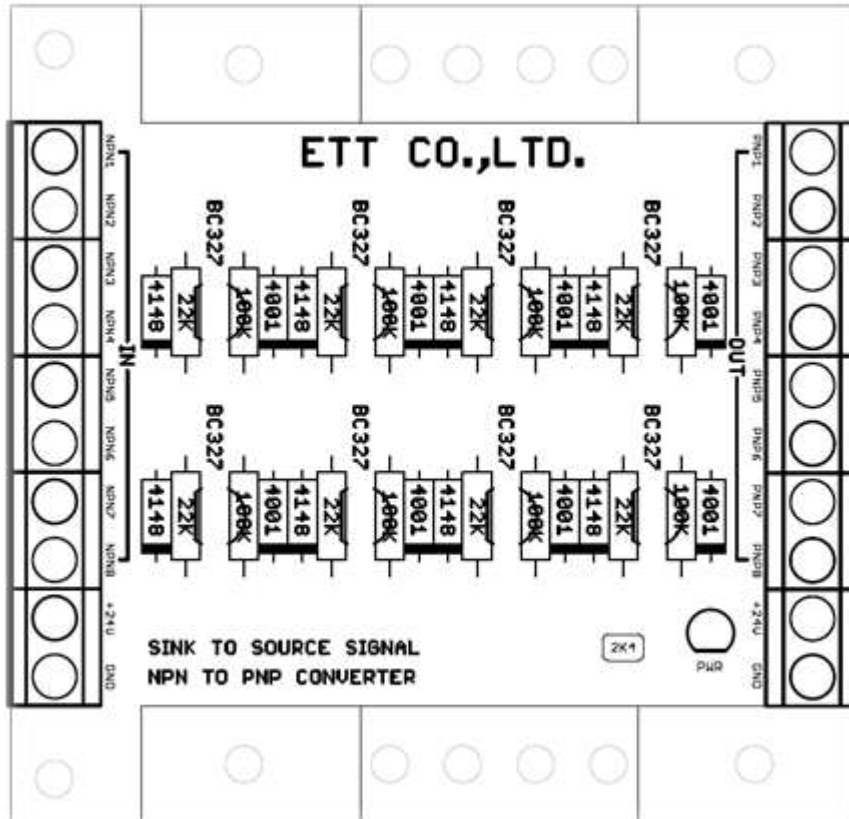


ET-NPN TO PNP CONVERTER (SINK TO SOURCE)

This 8-CH Board converts Signal OUPUT from NPN to PNP; it converts signal of Sensor Encoder Device and PLC that has different signal, and finally, they can work together.



SPECIFICATIONS

- Have 8-CH; receive Signal INPUT NPN(SINK) and then convert to PNP(SOURCE)
- INPUT runs at -2V and stops running at -1V(ON > [-2V], OFF < [-1V])
- Drive the maximum Current PNP (SOURCE) at 800mA
- Have Circuit Protection for both INPUT/OUTPUT against reverse of signal connection
- Receive Signal INPUT in the range of 10V-40V (recommend 24V)
- Have LED to display status of POWER SUPPLY
- Install Base to mount on DIN Rail
- Board size: 7cm X 7.3cm.

ET-NPN TO PNP CONVERTER (SINK TO SOURCE)

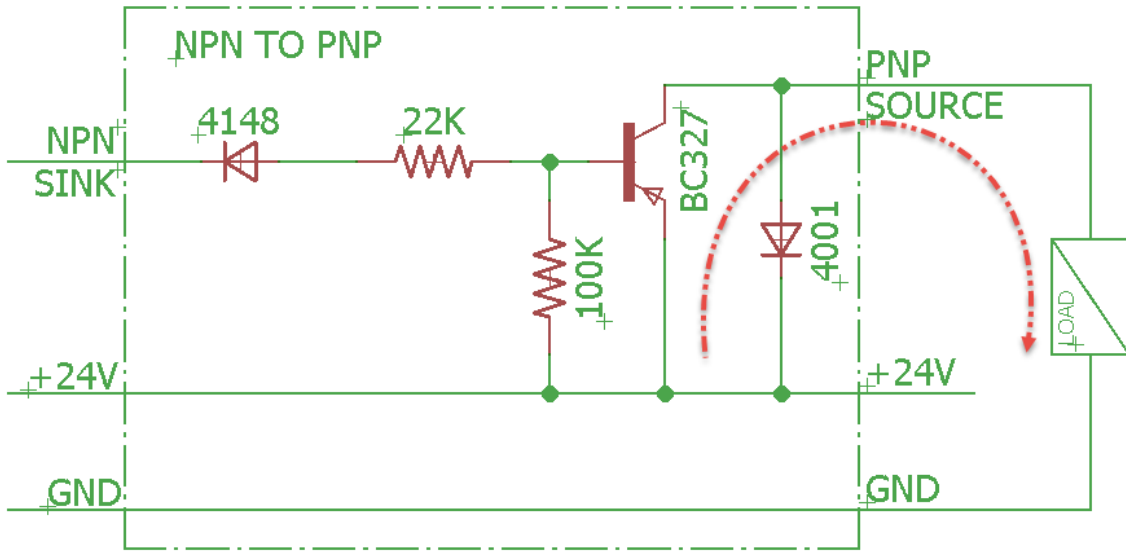


Figure shows internal of 1-CH Circuit of Board ET-NPN TO PNP.

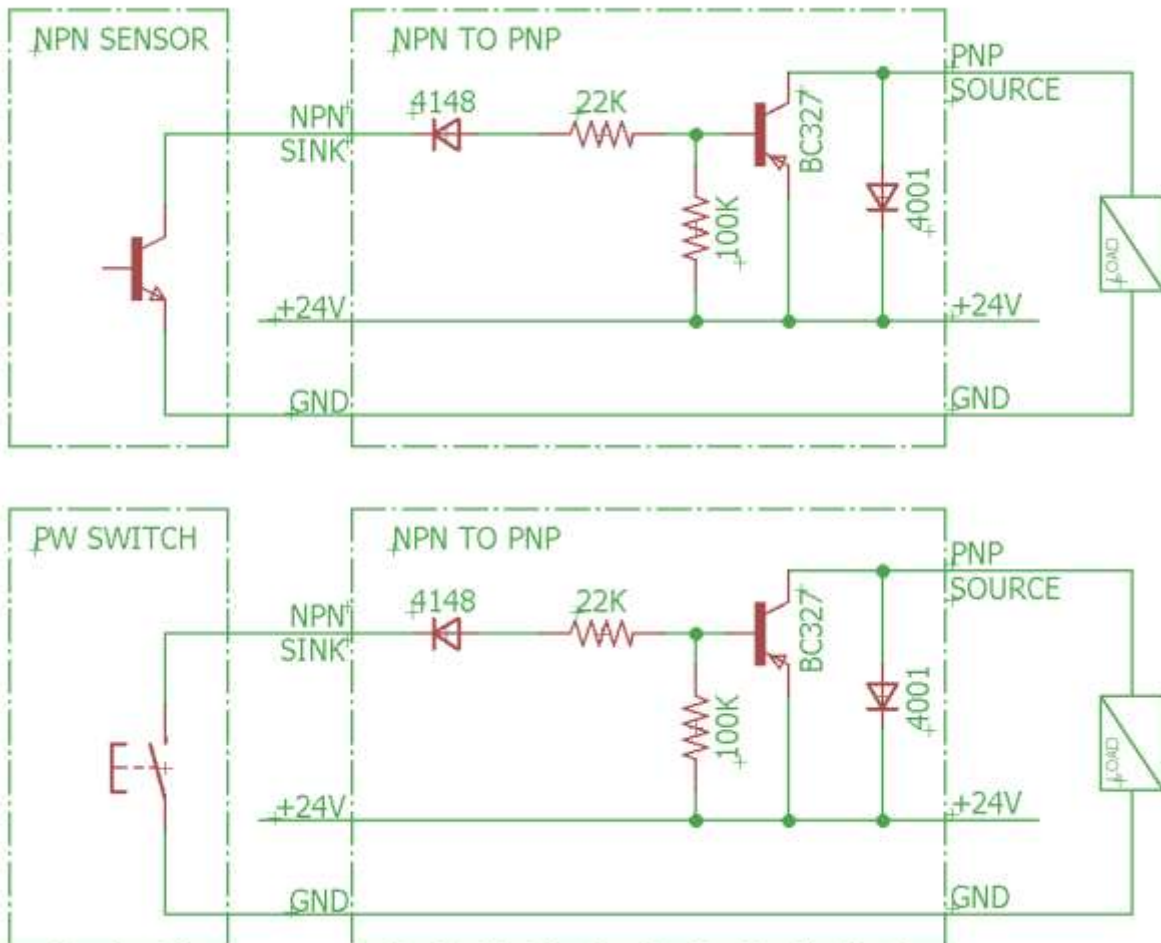


Figure illustrates an example of using and connecting Board ET-NPN TO PNP.